

REMOTE CONTROLLED DOG TRAINING COLLARS

OWNER'S MANUAL



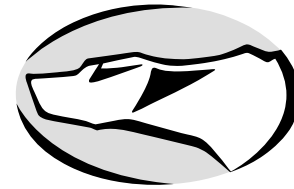
Dogtra Company

1250 E. 223rd Street, Suite 119
Carson, CA 90745

Tel : (310) 522-1800

Fax : (310) 522-1805

Toll Free: 1-888-811-9111



***dogtra* 2000T&B SERIES**
Training and Beeper Collar



TABLE OF CONTENTS

• OVERVIEW	2
• DOGTRA TRAINING & BEEPER COLLAR	3
• dogtra 2000T&B SERIES FEATURES	4
• dogtra 2000T&B SERIES PACKAGE CONTENTS	4
• PRODUCT SAFETY AND HEALTH STATEMENTS	5
• dogtra 2000T&B SERIES TRANSMITTER & COLLAR PARTS	7
• OPERATING dogtra 2000T&B SERIES	10
• CHARGING THE BATTERY	15
• ACCUSTOMING THE DOG TO THE BEEPER SOUND	17
• MAINTENANCE	18
• WARRANTY AND REPAIR INFORMATION	19

THANK YOU FOR CHOOSING A *dogtra* COMBINATION TRAINING/BEEPER COLLAR!

The *dogtra 2000T&B SERIES* remote training system will give you the ability to keep track of your dog's location when he/she is out of sight or on point.

The *dogtra 2000T&B SERIES* is also a training collar that can be used for behavior management.

The *dogtra* training/beeper collars are waterproof, lightweight and reliable. They are built to withstand the most rugged conditions that your dog may encounter.

The use of a sound booster element makes the beeper easier to hear from further away. However, the actual distance from which any beeper can be heard will vary depending on your position relative to your dog and the direction of the wind.

The use of microcomputer technology, digital circuitry and Ni-MH batteries make both the collar and transmitter compact and very reliable.

dogtra TRAINING & BEEPER COLLAR

The *dogtra 2000T&B SERIES* features reliable stimulation controlled from the transmitter. It also has a remote beeper with three modes. In the "Run/Point" mode, it beeps every 7.5 seconds while the dog is running and every two seconds when the dog is on point. In "Point" mode, the collar is silent until the dog stops, and then it beeps every two seconds. In the "Locate" mode it will beep as long as you press the "Locate" button. The tone of the beeper can be selected with a toggle switch located on the transmitter. There are two beeper modes : high and low.

The *dogtra 2002T&B* collar also comes in a two-dog model. The collars are color-coded and you select between collars with a toggle switch located on the transmitter. The orange collar emits a low-tone double beep in all modes and the black collar emits a high-tone single beep in all modes. This gives you the ability to differentiate between dogs when both are out of sight.

***dogtra* 2000T&B SERIES FEATURES**

- E-collar range - 1 mile
- Stimulus type - “Nick”, “Constant”
- Remote-controlled beeper range of 400 yards
- Low and high tone beepers
- Three beeper modes - “Run & Point”, “Point” and “Locate”
- Ni-MH rechargeable batteries
- Waterproof receiver and transmitter

***dogtra* 2000T&B SERIES PACKAGE CONTENTS**

- Carrying case
- Collar with beeper
- Transmitter
- Battery charger and splitter cable
- Owner’s manual
- Test light

PRODUCT SAFETY AND HEALTH STATEMENTS

Safety for your dog

Studies conducted by animal health professionals at Dogtra Company’s training facilities showed no adverse effects to the cardiovascular or nervous system of dogs from e-collar stimulation. These studies involved healthy dogs in a controlled environment.

Dogs should be in good health during any e-collar training. Dogtra e-collars are not intended for use on dogs weighing less than 12 pounds or under 6 months of age.

Skin irritation can occur from prolonged wearing of the stainless steel contact points on the training collar. Most dogs will exhibit some type of irritation (pressure necrosis) from prolonged contact of stainless steel contact points. This is why it states in your owner’s manual:

Attention:

Avoid having the dog wear the collar with the contact points in the same place for more than two hours at a time. Leaving the contact points on the same spot for an extended period of time can cause skin irritation. If the dog is to wear the e-collar for long periods, occasionally reposition the collar so that the contact points are moved to a different spot on the dog’s neck.

Proper e-collar use

dogtra e-collars are intended for the sole purpose of behavior modification of dogs. They are not intended for human use or use on other animals. Dogtra Company does not assume any liability for improper use of the Dogtra e-collar.

Aggressive dogs

dogtra does not recommend using the e-collar to correct dogs that are aggressive towards other dogs or people. In many such cases the dog will associate the stimulation with the other dog or individual and become even more aggressive. Dog aggression is best treated by a dog training specialist.

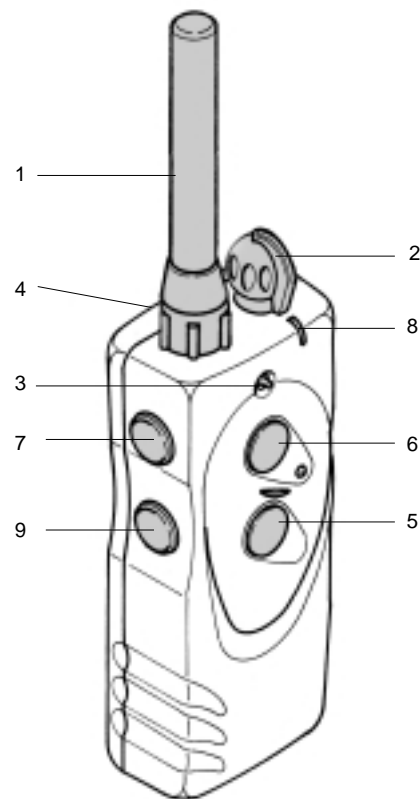
Interference with other electronic devices

Dogtra's industry-leading technology filtering system ensures minimal interference with other electronic devices (cellular phones, security systems, etc.). Our digital microprocessor offers thousands of unique codes to eliminate frequency match-up with other Dogtra e-collars.

Inadvertent activation

If the constant button is held down for 12 seconds or more the unit will automatically shut down. It will reactivate when the button is released.

dogtra 2000T&B SERIES TRANSMITTER

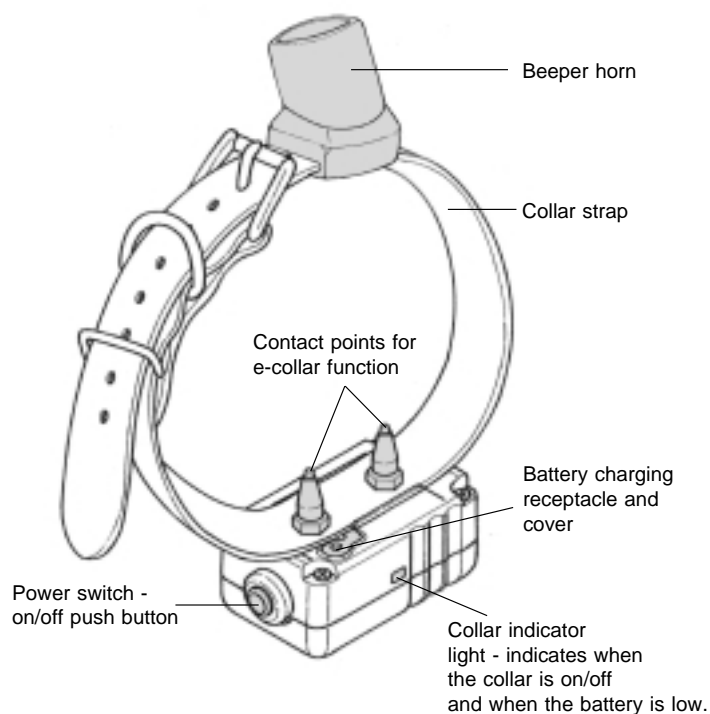


dogtra 2000T&B SERIES Transmitter Parts

1. Antenna
2. Stimulation intensity selection dial
3. Toggle switch allows you to select between low and high tones.(On two-dog models, the toggle switch allows you to select between black and orange collars.)
4. Battery charging receptacle and cover plug
5. Constant Button -implements constant stimulation as long as you hold the button down (for up to 12 seconds)
6. Nick Button - implements a very short single pulse of electrical stimulation
7. Locate Button - causes the collar horn to emit a series of beeps when pushed
8. Transmitter Indicator Light - indicates when the transmitter is activated
9. Mode button- Run/point and Point mode

dogtra 2000T&B SERIES COLLAR PARTS

dogtra 2000T&B SERIES Collar Parts



OPERATING THE *dogtra 2000T&B*

The *dogtra 2000T&B* collar has three beeper modes along with constant and nick stimulation from the electric collar.

In the "Run/Point" mode it emits a double beep every 7.5 seconds while the dog is running. In the "Point" mode it remains silent while the dog is running. In both the "Run/Point" and "Point" mode, the collar gives a double beep every two seconds while the dog is on point.

The collar will emit a rapid series of beeps as long as the "Locate" button is held down. The training collar features both constant and nick stimulation. Stimulation automatically shuts off if the constant button is depressed for 12 seconds or more.

The beeper function is selected with the bottom button ("Mode") and the top button ("Locate") on the side of the transmitter.

E-collar function is selected with the bottom button ("Constant") and the top button ("Nick") on the front of the transmitter.

To activate the beeper unit press the MODE button on the side of the transmitter. (**Note** : the ON/OFF button on the dog collar/receiver must be activated for the beeper to operate.)

The first time you press the MODE button, the collar will beep twice. The beeper unit will always start in the Run/Point mode where the collar beeps every 7.5 seconds when the dog is running and beeps every two seconds when the dog is stationary/on point.

To select the point mode press the MODE button a second time. The collar will beep once. It is now in the point mode where the beeper will beep every two seconds when the dog is stationary/on point and is silent when the dog is running.

NOTE : Changing the Tone when operating in the Run/Point or Pointing mode. In the Run/Point or Pointing mode the tone can be changed by pressing the Locate button when the High/Low tone toggle switch is in the desired position. *The unit must be activated and in the Run/Point or Pointing mode first.

To turn the beeper unit off, press the MODE button a third time. The unit will emit three rapid beeps. The beeper unit is now off.

Action of MODE \ a dog	running	on point
RUN/POINT	every 7.5 seconds	every 2 seconds
POINT	silence	every 2 seconds

To turn the collar on, press the on/off button on the collar and hold it down until the red indicator light comes on (about 1 second). The on/off switch has a built-in delay so that the collar can not be turned off if accidentally bumped.

INTENSITY SELECTION DIAL

The intensity selection dial is located on the top of the transmitter.

Number (1) one is the lowest level and number (100) one hundred is the highest level.

In the fully counter clockwise position- “zero” setting- no electrical stimulation occurs even when the constant button or the nick button is pressed (a safety feature).

Moving the dial from the “zero” setting in a clockwise manner will increase the electrical stimulation.

Conversely, moving the dial counter-clockwise will lower the stimulation level.

NOTE : Intensity can be increased or reduced during actual stimulation.

***dogtra* 2002T&B TWO DOG UNIT**

The ***dogtra* 2002T&B** two-dog unit operates just like the ***dogtra* 2000T&B** single-dog unit. The difference is in the transmitter where a toggle switch allows you to select either collar.

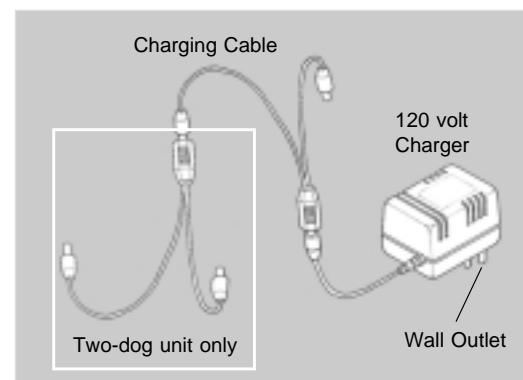
The toggle switch is color-coded with black and orange to match the black and orange collar straps. The orange collar emits a low tone double beep and the black collar gives a high tone single beep so you can distinguish between dogs when they are out of sight.

The two-dog models have a toggle switch on the face of the transmitter located above the “Nick” button. The toggle switch allows for selection of either collar.

Set the toggle switch on the orange position to select the orange collar and the black position to select the black collar.

ORANGE COLLAR	double beep with low tone
BLACK COLLAR	single beep with high tone

CHARGING THE BATTERIES



The battery charger and charging cables allow you to charge both the transmitter and receiver at the same time. The battery charger is designed for a 120-volt wall outlet. (European 230-volt AC chargers and 12-volt field charger for your automobile are also available.)

To use the battery charger for the two-dog unit, combine both sets of battery charging (splitter) cables as shown. This enables you to charge the transmitter and both receivers at the same time.

BATTERY CHARGING

When the batteries need recharging, the LED light will emit a rapid, double flash every 2 seconds. If the batteries have been allowed to run completely down, the indicator light may not come on at all.

Be sure to turn off the collar receiver before charging.

To charge the batteries, connect the single side of the splitter cable to the battery charger. Connect one side of the splitter cable into the collar/receiver and the other side into the transmitter. Then, plug the charger into a household outlet. Recharge batteries for 14 hours. (See battery charging diagram.)

Both the collar receiver and transmitter indicator light will glow continuously while the batteries are charging.

After disconnecting the cable, close the receptacle covers. Be sure the rubber plugs are completely sealed over the receptacle to prevent dirt and water from entering.

ACCUSTOMING THE DOG TO THE BEEPER SOUND

Turn on the beeper collar and leave it outside the dog's kennel area for about a half-hour.

Repeat this several times, until you can see that the dog disregards the beeper.

Next, fill the speaker horn with tissue paper to muffle the sound. Fit the beeper collar on the dog. Gradually, remove some of the tissue paper as the dog becomes accustomed to the beeping sound.

Now, when you take him hunting, he will be accustomed to the beeper sound.

MAINTENANCE

Reception

The **dogtra 2000T&B SERIES** collar has a range of 1 mile. Depending on the way you use your transmitter, the transmitting range may vary.

Hold the transmitter away from your body and avoid touching the antenna to get the greatest range.



Maximum Range



Typical Range



Minimum Range

If your finger touches the antenna near the dial on the top of the transmitter, the actual range may be reduced.

WARRANTY AND REPAIR INFORMATION

Dogtra Company provides the original purchaser a **LIMITED LIFETIME WARRANTY** for the 2000 T&B SERIES on parts (excluding batteries) from the date of the original purchase. Labor is covered for two years after purchase. Once the labor warranty has expired, all repairs will incur a variable labor charge depending on the extent of work required.

To Qualify for the Limited Lifetime Warranty:

The limited lifetime warranty applies to units purchased after Dec. 31, 2005. Fill out the warranty registration card that came with your Dogtra unit and mail it in along with a copy of your receipt within 30 days of purchase. Or, you can register your product online at www.dogtra.com.

Not Covered Under Warranty:

If product registration is not completed within 30 days of purchase and/or the product is resold, the warranty will become void and all repairs will be subject to applicable labor fees.

Dogtra DOES NOT replace defective units or provide refunds after 30 days from date of purchase.

Dogtra's warranty DOES NOT cover repairs or replacement due to misuse, improper maintenance or lost units. Any water damage on models that are not waterproof will not be covered. All replacement costs for either the transmitter or receiver is the owner's responsibility.

The Limited Lifetime Warranty will expire (5) years from the date a unit is discontinued in production by Dogtra Company.

* Batteries, or the labor to replace them, are NOT covered under the warranty after the first year.

The warranty is void if the unit has been altered or an unauthorized person has attempted repair work.

Procedure for Repair Work:

Return shipping for warranty work is the owner's responsibility. The cost for shipping (via regular ground service) back to the customer is covered by Dogtra Co. within the continental United States. Any expedited shipping service will be at the owner's expense. Dogtra is not responsible for loss of training time or inconvenience while the unit is in our warehouse for repair work. Dogtra does not provide loaner units or any form of compensation during the repair period.

A copy of the sales receipt showing purchase date is required before warranty work is begun.

Write a note briefly explaining the problem and include your name, address, city/state/zip code, daytime phone number and evening phone

number. Or, you can visit our web site at www.dogtra.com to fill out a Service Request Form. If repair costs are not covered under warranty, we will call you for credit card information once the work has been completed. For any questions concerning your Dogtra products call us Toll Free at 1-888-811-9111, Pacific Time.

Send repair units to:

Dogtra Company

1250 E. 223rd Street, Suite 119
Carson, CA 90745

MEMO
